



SUNNDA CORPORATION

Boost Your Bottom Line!

Wellheads, Production & Frac Equipment



Sunnda Corporation

4543 Brittmoore Road,
Houston, TX 77041
USA

Phone: +1-713-849-5678

Fax: +1-713-849-5687

E-mail: sales@sunnda.com

Website: <http://www.sunnda.com>

Sunnda Corporation

SUNNDA CORPORATION is an American Company headquartered in Houston, Texas, USA, a leading manufacturer and distributor of wellheads, Christmas tree components, production and fracturing products including wellheads, gate valves, chokes, tree caps, flanges, crosses, tees, frac valves, goatheads, spools, pumping units, sucker rods, rod pumps, swivel joints, pup joints, plug valves, etc. used in oil and gas industry.

We comply with strict quality control processes, which guarantee that our products are produced to the highest industry standards. This ensures that the products you receive from Sunnda will be consistently produced to the highest quality which meet or exceed OEM specifications.

Sunnda knows the various needs of the oilfield service companies and operators worldwide. One important thing about us is that we are able to supply quality products to our customers with competitive prices. Customers who buy equipment from us can benefit from great savings and get their products in time.



Table of Contents

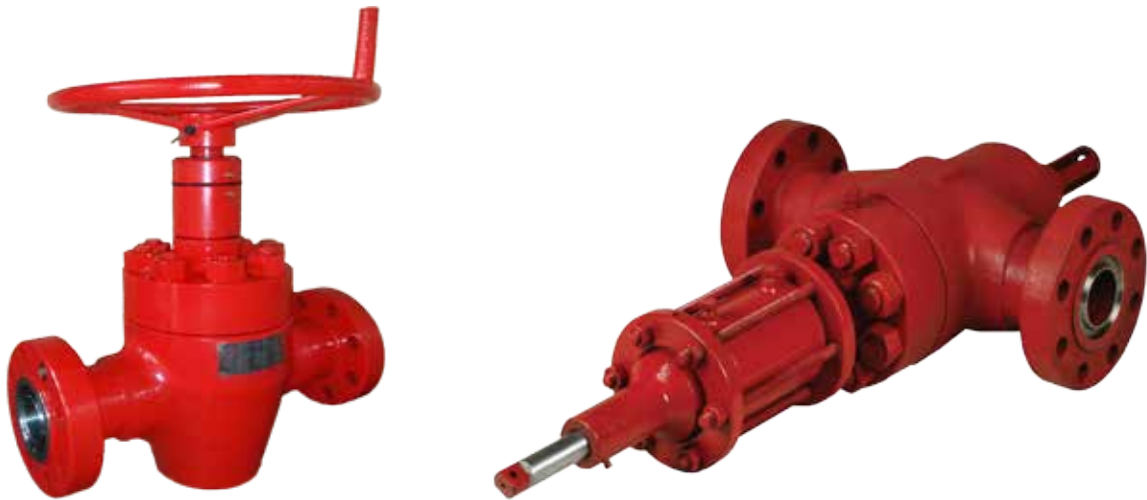
Wellheads & Christmas Tree Components	2
S-FC Gate Valves.....	2
Gate Valve Replacement Parts.....	3
S-M Expanding Gate Valves.....	4
Chokes.....	5
Casing Heads SC-22/SC-29.....	5
Casing Spools SC-22/SC-29.....	7
Tubing Heads & Spools STCM.....	9
Tubing Head Adapters.....	10
Crosses & Tees.....	11
Christmas Tree Caps.....	12
Flanges.....	13
Pumping Units	15
Crank Balanced Pumping Units.....	15
Beam Balanced Pumping Units.....	17
Sucker Rods & Rod Pumps.....	18
Frac Components	19
Flowline Products	20
Sunnda Customer Locations	21



Wellheads & Christmas Tree Components

S-FC Gate Valves

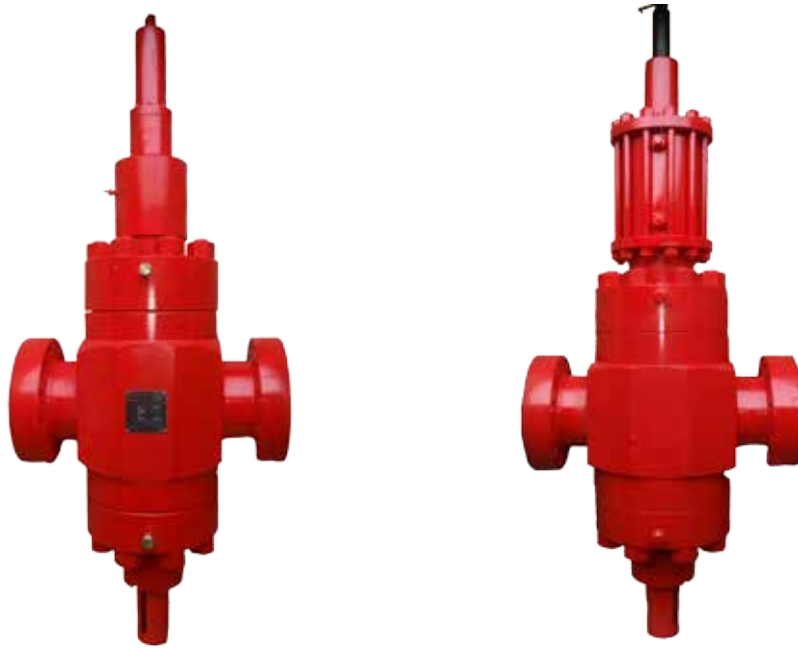
S-FC type gate valve has a non-rising stem with a slab gate, floating seat ring body bushing design to provide safe dependable services. The standard features of S-FC gate valves include full-bore thru-conduit design and metal to metal seals between body and bonnet, gate and seat, and seat and body. The above features make it ideally suited for drilling manifold and production operations. Materials and trims are available for all operating conditions. It is available in flanged ends in standard bore sizes from 1-13/16" through 7-1/16" in working pressures from 2,000 psi to 20,000 psi.



S-FC Gate Valve Availability

Working Pressure, psi	Nominal Size (inches)							
	1-13/16	2-1/16	2-9/16	3-1/16	3-1/8	4-1/16	5-1/8	7-1/16
2,000								
3,000								
5,000								
10,000								
15,000								
20,000								

Ball screw operator is available for large bore and high pressure gate valves. All of our valves can be actuated by hydraulic or pneumatic actuators.



Gate Valve Replacement Parts

Gates, seats, body bushing, bonnet seal rings, stems, stem packings, seat seals, body bushing seals, retainer plates, guides, grease fittings, thrust bearings, etc.





S-M Expanding Gate Valves

S-M type expanding gate valve has a non-rising stem with a expanding gate design to provide safe dependable services in a variety of environments. It is available in flanged ends or threaded ends in standard bore sizes from 1-13/16" through 7-1/16" in working pressures from 2,000 psi to 10,000 psi.



S-M Expanding Gate Valve Availability

Working Pressure, psi	Nominal Size (inches)			
	2-1/16	2-9/16	3-1/8	4-1/16
2,000				
3,000				
5,000				

Chokes

Adjustable and positive chokes.

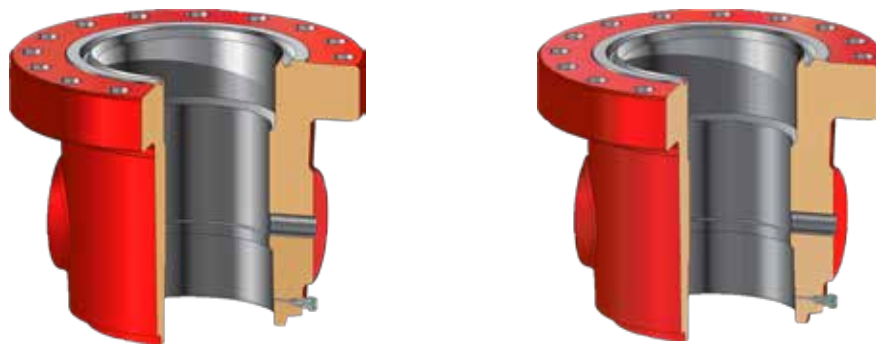
- Nominal Sizes: 2", 3", 4"
- Needle/Maximum Orifice Size: 1", 2", 3"
- Working Pressure: 2000 through 15,000 psi
- Operating Temperatures: API ratings P, R, S, T, U.



Casing Heads SC-22/SC-29

SC-22 casing heads use a straight-bore bowl design that prevents damage to sealing areas from drilling tools and prevents test-plug and bowl-protector wedging problems under pressure. This straightbore design also reduces maintenance costs and permits suspension of heavy casing loads. SC-22 casing heads normally are furnished with 2-inch threaded outlets, but optional sizes and studded outlets are available upon request. Bottom connections can be furnished slip-on-weld, threaded or slip-n-lock. SC-22 casing heads permit interchangeability of casing hangers SC-22 and SC-21.

The SC-29 casing head uses a straight bore based on the same reliable design as the SC-22, except the bowl is 2 inches deeper, permitting the acceptance of the minimal-deflection SC-29 casing hanger. This allows extreme-load casing-hanging capacity compared with the SC-22 profile.



SC-22 Casing Head Specifications (API-6A)

Top Flange Size (inches)	Working Pressure (psi)	Casing Size (inches)	Outlet
9"	2,000	7"	2" LP
9"	3,000	7"	2" LP
9"	2,000	7-5/8"	2" LP
9"	3,000	7-5/8"	2" LP
9"	5,000	7-5/8"	2" LP
9"	2,000	8-5/8"	2" LP
9"	3,000	8-5/8"	2" LP
9"	5,000	8-5/8"	2" LP
11"	2,000	8-5/8"	2" LP
11"	3,000	8-5/8"	2" LP
11"	5,000	8-5/8"	2" LP
11"	2,000	9-5/8"	2" LP
11"	3,000	9-5/8"	2" LP
11"	5,000	9-5/8"	2" LP



Top Flange Size (inches)	Working Pressure (psi)	Casing Size (inches)	Outlet
11"	2,000	7"	2" LP
11"	3,000	7"	2" LP
11"	2,000	7-5/8"	2" LP
13-5/8"	3,000	7-5/8"	2" LP
13-5/8"	5,000	7-5/8"	2" LP
13-5/8"	2,000	8-5/8"	2" LP
13-5/8"	3,000	8-5/8"	2" LP
13-5/8"	5,000	8-5/8"	2" LP
16-3/4"	2,000	8-5/8"	2" LP
16-3/4"	3,000	8-5/8"	2" LP
21-1/4"	5,000	8-5/8"	2" LP
20-3/4"	2,000	9-5/8"	2" LP

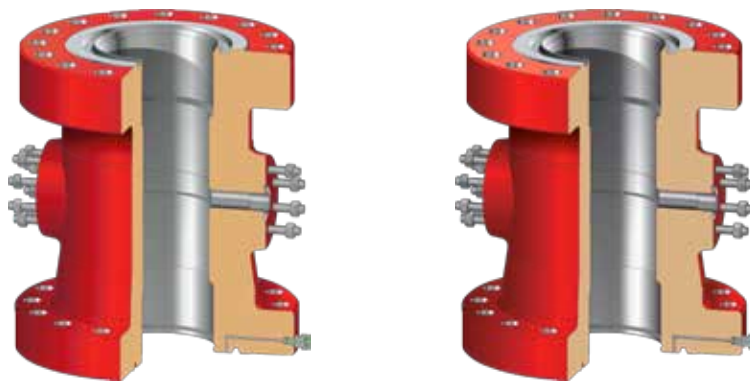
SC-29 Casing Head Specifications (API-6A)

Top Flange Size (inches)	Working Pressure (psi)	Casing Size (inches)	Outlet
11"	3,000	8-5/8"	LP / SSO
11"	5,000	8-5/8"	LP / SSO
11"	3,000	9-5/8"	LP / SSO
11"	5,000	9-5/8"	LP / SSO
11"	3,000	10-3/4"	LP / SSO
11"	5,000	10-3/4"	LP / SSO
13-5/8"	3,000	13-3/8"	LP / SSO
13-5/8"	5,000	13-3/8"	LP / SSO
16-3/4"	2,000	16"	LP / SSO
16-3/4"	3,000	16"	LP / SSO
16-3/4"	5,000	16"	LP / SSO
21-1/4"	2,000	20"	LP / SSO
20-3/4"	3,000	20"	LP / SSO

Casing Spools SC-22/SC-29

SC-22 casing spools are designed with a straightbore bowl that prevents damage to sealing areas from drilling tools and prevents test-plug and bowlprotector wedging problems under pressure. This straight-bore design also reduces maintenance costs and permits suspension of heavy casing loads. SC-22 casing spools normally are furnished with studded outlets, but optional threaded outlets are available upon request. Bottom preparation can include PE seals or X-bushing secondary seals. HPE seals for high-performance frac wells are available upon request. SC-22 casing spools allow interchangeability between SC-22 and SC-21 casing hangers.

The SC-29 casing spool uses a straight bore based on the same reliable design as the SC-22 except the bowl is 2 inches deeper, permitting the acceptance of the minimal-deflection SC-29 casing hanger. This allows extreme-load casing-hanging capacity compared with the SC-22 profile. SC-29 casing spools normally are furnished with studded outlets, and threaded outlets are available upon request. Bottom preparation can include PE seal or X-bushing secondary seals. HPE seals for high-performance frac wells are available upon request.



SC-22 Casing Spool Specifications (API-6A)

Top Flange Size (inches)	Working Pressure (psi)	Bottom Flange Size (inches)	Working Pressure (psi)
11"	2,000	11"	2,000
11"	2,000	13-5/8"	3,000
11"	3,000	11"	3,000
11"	3,000	11"	2,000
11"	3,000	13-5/8"	2,000
11"	3,000	13-5/8"	3,000
11"	3,000	16-3/4"	2,000
11"	5,000	16-3/4"	3,000
11"	5,000	13-5/8"	3,000
11"	5,000	16-3/4"	3,000
11"	10,000	13-5/8"	5,000
13-5/8"	3,000	16-3/4"	3,000
13-5/8"	3,000	21-1/4"	2,000
13-5/8"	5,000	20-3/4"	3,000

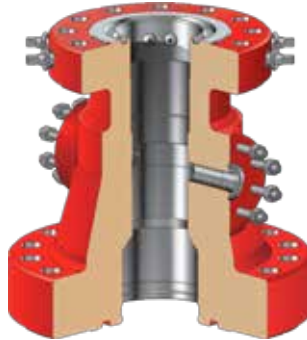


SC-29 Casing Spool Specifications (API-6A)

Top Flange Size (inches)	Working Pressure (psi)	Bottom Flange Size (inches)	Working Pressure (psi)
11"	3,000	11"	3,000
11"	3,000	13-5/8"	3,000
11"	3,000	16-3/4"	3,000
11"	5,000	11"	3,000
11"	5,000	13-5/8"	3,000
11"	5,000	13-5/8"	5,000
11"	5,000	16-3/4"	3,000
11"	5,000	16-3/4"	5,000
11"	10,000	11"	10,000
11"	10,000	13-5/8"	5,000
13-5/8"	3,000	20-3/4"	3,000
13-5/8"	5,000	20-3/4"	3,000

Tubing Heads & Spools STCM

STCM tubing heads & spool use a straight-bore bowl design for single and multiple completions in working pressures through 15,000 psi and in sizes to meet all multiple-completion requirements. Bottom preparation can include PE seal or X-bushing secondary seals. HPE seals for high-performance frac wells are available upon request.



STCM Tubing Head Specifications (API-6A)

Top Flange Size (inches)	Working Pressure (psi)	Bottom Flange Size (inches)	Working Pressure (psi)
7-1/16"	3,000	11"	2,000
7-1/16"	3,000	11"	3,000
7-1/16"	3,000	13-5/8"	2,000
7-1/16"	3,000	13-5/8"	3,000
7-1/16"	5,000	11"	3,000
7-1/16"	5,000	11"	5,000
7-1/16"	5,000	13-5/8"	3,000
7-1/16"	10,000	11"	5,000
7-1/16"	10,000	11"	10,000
7-1/16"	15,000	11"	10,000
9"	3,000	11"	3,000
9"	3,000	13-5/8"	2,000
9"	3,000	13-5/8"	3,000
9"	5,000	11"	3,000
9"	5,000	13-5/8"	3,000
9"	10,000	11"	5,000
9"	10,000	11"	10,000
11"	10,000	13-5/8"	5,000



Tubing Head Adapters



SB1 Tubing Head Adapter



SB2P Tubing Head Adapter

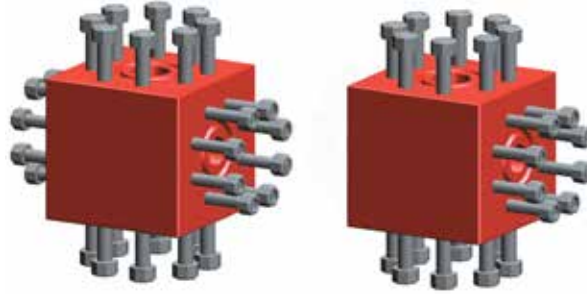
SB1 Tubing Head Adapter

Flange Size (inches)	Working Pressure (psi)	Threaded Top	Bottom Thread
7-1/16"	2,000	2-3/8" UP TBG	2-3/8" UP TBG
7-1/16"	2,000	2-7/8" UP TBG	2-7/8" UP TBG
7-1/16"	2,000	3-1/2" UP TBG	3-1/2" UP TBG
7-1/16"	3,000	2-3/8" UP TBG	2-3/8" UP TBG
7-1/16"	3,000	2-7/8" UP TBG	2-7/8" UP TBG
7-1/16"	3,000	3-1/2" UP TBG	3-1/2" UP TBG
7-1/16"	5,000	2-3/8" UP TBG	2-3/8" UP TBG
7-1/16"	5,000	2-7/8" UP TBG	2-7/8" UP TBG
7-1/16"	5,000	3-1/2" UP TBG	3-1/2" UP TBG

SB2P Tubing Head Adapter

Flange Size (inches)	Working Pressure (psi)	Threaded Top	Bottom Thread
7-1/16"	2,000	2-1/16" 2,000 psi	2-3/8" UP TBG
7-1/16"	3,000	2-1/16" 5,000 psi	2-3/8" UP TBG
7-1/16"	3,000	2-9/16" 5,000 psi	2-7/8" UP TBG
7-1/16"	3,000	3-1/8" 5,000 psi	3-1/2" UP TBG
7-1/16"	5,000	2-1/16" 5,000 psi	2-3/8" UP TBG
7-1/16"	5,000	2-9/16" 5,000 psi	2-7/8" UP TBG
7-1/16"	5,000	3-1/8" 5,000 psi	3-1/2" UP TBG

Crosses & Tees



Cross & Tee Specifications

Run Size (inches)	Working Pressure (psi)	Outlet Size (inches)	Working Pressure (psi)
2-1/16"	2,000	2-1/16"	2,000
2-1/16"	5,000	2-1/16"	2,000
2-9/16"	2,000	2-1/16"	2,000
2-9/16"	5,000	2-1/16"	2,000
3-1/8"	2,000	2-1/16"	2,000
3-1/8"	3,000	2-1/16"	5,000
3-1/8"	3,000	3-1/8"	3,000
3-1/8"	5,000	2-1/16"	5,000
3-1/8"	5,000	3-1/8"	5,000
4-1/16"	2,000	2-1/16"	2,000
4-1/16"	2,000	4-1/16"	2,000
4-1/16"	3,000	2-1/16"	5,000
4-1/16"	3,000	4-1/16"	3,000
4-1/16"	5,000	2-1/16"	5,000
4-1/16"	5,000	2-9/16"	5,000
4-1/16"	5,000	3-1/8"	5,000
4-1/16"	5,000	4-1/16"	5,000
1-13/16"	10,000	1-13/16"	10,000
1-13/16"	15,000	1-13/16"	15,000
2-1/16"	10,000	1-13/16"	10,000
2-1/16"	10,000	2-1/16"	10,000
2-1/16"	15,000	1-13/16"	15,000
2-1/16"	15,000	2-1/16"	15,000
2-9/16"	10,000	1-13/16"	10,000
2-9/16"	10,000	2-1/16"	10,000
2-9/16"	10,000	2-9/16"	10,000
2-9/16"	15,000	1-13/16"	15,000
2-9/16"	15,000	2-1/16"	15,000
2-9/16"	15,000	2-9/16"	15,000
3-1/16"	10,000	2-1/16"	10,000
3-1/16"	10,000	2-9/16"	10,000
3-1/16"	10,000	3-1/16"	10,000
4-1/16"	10,000	2-1/16"	10,000
4-1/16"	10,000	3-1/16"	10,000
4-1/16"	10,000	4-1/16"	10,000



Christmas Tree Caps



Christmas Tree Cap (BHTA) Specifications

Bottom Flange Size (inches)	Working Pressure (psi)	Bore (inches)	Lift Thread
2-1/16"	2,000	2-1/16"	2-3/8" EUE
2-1/16"	5,000	2-1/16"	2-3/8" EUE
2-9/16"	2,000	2-9/16"	2-7/8" EUE
2-9/16"	5,000	2-9/16"	2-7/8" EUE
3-1/8"	2,000	2-9/16"	2-3/8" EUE
3-1/8"	2,000	3-1/16"	3-1/2" EUE
3-1/8"	3,000	2-9/16"	2-7/8" EUE
3-1/8"	3,000	3-1/16"	3-1/2" EUE
3-1/8"	5,000	2-9/16"	2-7/8" EUE
3-1/8"	5,000	3-1/16"	3-1/2" EUE
4-1/16"	3,000	4-1/16"	4-1/2" EUE
2-1/16"	10,000	2-1/16"	2-3/8" EUE
2-9/16"	10,000	2-9/16"	2-7/8" EUE
3-1/16"	10,000	3-1/16"	3-1/2" EUE
4-1/16"	10,000	4-1/16"	4-1/2" EUE

Flanges



Flange Size (inches)	Working Pressure (psi)	Outside Diameter	Number of Bolt Holes	Diameter of Bolts	Length of Bolts	API Ring Gasket
1-13/16"	10,000	7-3/8"	8	3/4"	5-1/4"	BX-151
	15,000	8-3/16"	8	7/8"	6"	BX-151
	20,000	10-1/8"	8	1"	7-3/4"	BX-151
2-1/16"	2,000	6-1/2"	8	5/8"	5/8"	R-23
	3,000/5,000	8-1/2"	8	7/8"	7/8"	R-24
	10,000	7-7/8"	8	3/4"	3/4"	BX-152
	15,000	8-3/4"	8	7/8"	7/8"	BX-152
	20,000	11-5/16"	8	1-1/8"	1-1/8"	BX-152
2-9/16"	2,000	7-1/2"	8	3/4"	5-1/4"	R-26
	3,000/5,000	9-5/8"	8	1"	7"	R-27
	10,000	9-1/8"	8	7/8"	6-1/4"	BX-153
	15,000	10"	8	1"	7"	BX-153
	20,000	12-13/16"	8	1-1/4"	9-1/2"	BX-153
3-1/8"	2,000	8-1/4"	8	3/4"	5-1/2"	R-31
	3,000	9-1/2"	8	7/8"	6-1/4"	R-31
	5,000	10-1/2"	8	1-1/8"	7-3/4"	R-35
3-1/16"	10,000	10-5/8"	8	1"	7-1/4"	BX-154
	15,000	11-5/16"	8	1-1/8"	8"	BX-154
	20,000	14-1/16"	8	1-3/8"	10-3/4"	BX-154
4-1/16"	2,000	10-3/4"	8	7/8"	6-1/4"	R-37
	3,000	11-1/2"	8	1-1/8"	7-1/2"	R-37
	5,000	12-1/4"	8	1-1/4"	8-1/2"	R-39
	10,000	12-7/16"	8	1-1/8"	8-3/8"	BX-155
	15,000	14-3/16"	8	1-3/8"	9-3/4"	BX-155
	20,000	17-9/16"	8	1-3/4"	12-3/4"	BX-155
5-1/8"	5,000	14-3/4"	8	1-1/2"	10-3/4"	R-44



Flange Size (inches)	Working Pressure (psi)	Outside Diameter	Number of Bolt Holes	Diameter of Bolts	Length of Bolts	API Ring Gasket
7-1/16"	2,000	14"	12	1"	7-1/2"	R-45
	3,000	15"	12	1-1/8"	8-1/2"	R-45
	5,000	15-1/2"	12	1-3/8"	11-1/4"	R-46
	10,000	18-7/8"	12	1-1/2"	11-3/4"	BX-156
	15,000	19-7/8"	16	1-1/2"	13"	BX-156
	20,000	25-13/16"	16	2"	17-3/4"	BX-156
9"	2,000	16-1/2"	12	1-1/8"	8-1/2"	R-49
	3,000	18-1/2"	12	1-3/8"	9-1/2"	R-49
	5,000	19"	12	1-5/8"	12-1/2"	R-50
	10,000	21-3/4"	16	1-1/2"	13-1/4"	BX-151
	15,000	25-1/2"	16	1-7/8"	16"	BX-151
11"	2,000	20"	16	1-1/4"	9-1/4"	R-53
	3,000	21-1/2"	16	1-3/8"	10"	R-53
	5,000	23"	12	1-7/8"	14-1/4"	R-54
	10,000	25-3/4"	16	1-3/4"	15-3/8"	BX-158
	15,000	32"	20	2"	19-1/2"	BX-158
13-5/8"	2,000	22"	20	1-1/4"	9-1/2"	R-57
	3,000	24"	20	1-3/8"	10-3/4"	R-57
	5,000	26-1/2"	16	1-5/8"	12-3/4"	BX-160
	10,000	30-1/4"	20	1-7/8"	17-3/4"	BX-159
	15,000	34-7/8"	20	2-1/4"	21"	BX-159
16-3/4"	2,000	27"	20	1-1/2"	10-3/4"	R-65
	3,000	27-3/4"	20	1-5/8"	12-1/4"	R-66
	5,000	30-3/8"	16	1-7/8"	14-3/4"	BX-162
	10,000	34-5/16"	24	1-7/8"	17-3/4"	BX-162
18-3/4"	5,000	35-5/8"	20	2"	18"	BX-163
	10,000	40-15/16"	24	2-1/4"	23"	BX-164
20-3/4"	3,000	33-3/4"	20	2"	15-1/4"	R-74
21-1/4"	2,000	32"	24	1-5/8"	12-1/2"	R-73
	5,000	39"	24	2"	19"	BX-165
	10,000	45"	24	2-1/2"	24-3/4"	BX-166
26-3/4"	2,000	41"	20	1-3/4"	14-1/4"	BX-167
	3,000	43-3/8"	24	2"	17-1/2"	BX-168

Pumping Units

Crank Balanced Pumping Units (API-11E)



Unit Size	Polished Rod Capacity, lbs	Stroke Length, inches	Gear Reducer Peak Torque Rating, in.lbs
C-912D-470-240	47,000	240, 211, 181	912,000
C-912D-427-216	42,700	216, 185, 155	912,000
C-912D-427-192	42,700	192, 165, 138	912,000
C-912D-305-192	30,500	192, 165, 138	912,000
C-912D-365-168	36,500	168, 144, 121	912,000
C-912D-305-168	30,500	168, 144, 121	912,000
C-912D-427-144	42,700	144, 123, 102	912,000
C-640D-305-192	30,500	192, 165, 138	640,000
C-640D-305-168	30,500	168, 144, 121	640,000
C-640D-365-144	36,500	144, 123, 102	640,000
C-640D-305-144	30,500	144, 123, 102	640,000
C-640D-256-144	25,600	144, 123, 102	640,000
C-640D-305-120	30,500	120, 102, 84	640,000
C-456D-305-168	30,500	168, 144, 121	456,000
C-456D-305-144	30,500	144, 123, 102	456,000
C-456D-256-144	25,600	144, 123, 102	456,000
C-456D-365-120	36,500	120, 102, 84	456,000
C-456D-305-120	30,500	120, 102, 84	456,000
C-456D-256-120	25,600	120, 102, 84	456,000
C-320D-256-144	25,600	144, 123, 102	320,000
C-320D-256-120	25,600	120, 102, 84	320,000
C-320D-213-120	21,300	120, 102, 84	320,000



Unit Size	Polished Rod Capacity, lbs	Stroke Length, inches	Gear Reducer Peak Torque Rating, in.lbs
C-320D-256-144	25,600	144, 123, 102	320,000
C-320D-256-120	25,600	120, 102, 84	320,000
C-320D-213-120	21,300	120, 102, 84	320,000
C-320D-305-100	30,500	100, 85, 70	320,000
C-320D-256-100	25,600	100, 85, 70	320,000
C-320D-213-86	21,300	86, 71, 56	320,000
C-228D-213-120	21,300	120, 102, 84	228,000
C-228D-173-100	17,300	100, 86, 72	228,000
C-228D-246-86	24,600	86, 71, 56	228,000
C-228D-213-86	21,300	86, 71, 56	228,000
C-228D-200-74	20,000	74, 64, 54	228,000
C-228D-173-74	17,300	74, 64, 54	228,000
C-160D-173-86	17,300	86, 74, 62	160,000
C-160D-200-74	20,000	74, 64, 54	160,000
C-160D-173-74	17,300	74, 64, 54	160,000
C-160D-143-74	14,300	74, 64, 54	160,000
C-160D-173-64	17,300	64, 54, 44	160,000
C-114D-119-86	11,900	86, 72, 59	114,000
C-114D-143-74	14,300	74, 62, 51	114,000
C-114D-173-64	17,300	64, 54, 44	114,000
C-114D-143-64	14,300	64, 52, 40	114,000
C-114D-133-54	13,300	54, 45, 36	114,000
C-80D-119-64	11,900	64, 53, 42	80,000
C-80D-133-54	13,300	54, 45, 36	80,000
C-80D-119-54	11,900	54, 45, 36	80,000
C-80D-133-48	13,300	48, 40, 32	80,000
C-80D-109-48	10,900	48, 37, 25	80,000
C-57D-76-54	7,600	54, 41, 28	57,000
C-57D-109-48	10,900	48, 37, 25	57,000
C-57D-95-48	9,500	48, 37, 25	57,000
C-57D-89-42	8,900	42, 33, 23	57,000
C-57D-76-42	7,600	42, 33, 23	57,000
C-40D-76-48	7,600	48, 37, 27	40,000
C-40D-89-42	8,900	42, 33, 23	40,000
C-40D-76-42	7,600	42, 33, 23	40,000
C-40D-89-36	8,900	36, 28, 20	40,000
C-25D-67-36	6,700	36, 28, 20	25,000
C-25D-56-36	5,600	36, 28, 20	25,000
C-25D-53-30	5,300	30, 20	25,000

Beam Balanced Pumping Units (API-11E)

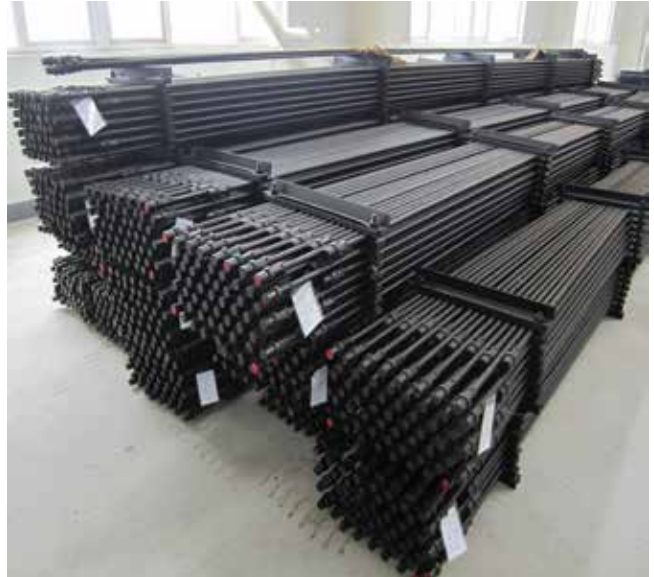
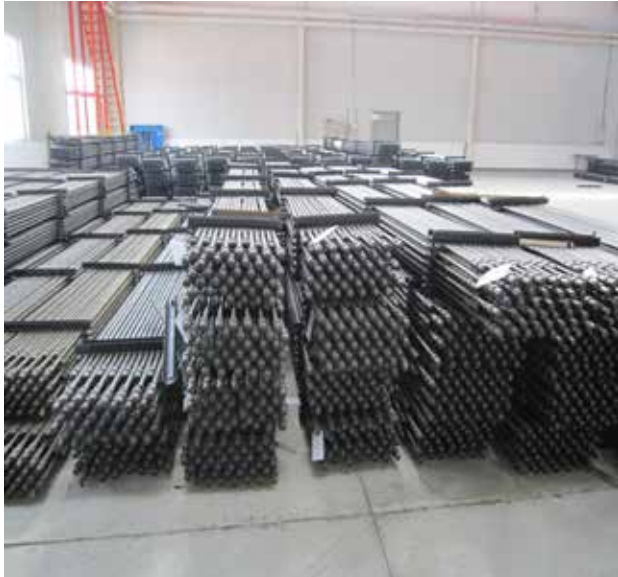


Unit Size	Polished Rod Capacity, lbs	Stroke Length, inches	Gear Reducer Peak Torque Rating, in.lbs
B-80D-119-64	11,900	64, 54	80,000
B-80D-76-64	7,600	64, 54	80,000
B-80D-133-54	13,300	51, 41	80,000
B-80D-119-64	11,900	51, 41	80,000
B-80D-76-54	7,600	51, 41	80,000
B-80D-109-48	10,900	48, 35	80,000
B-57D-109-54	10,900	54, 41	57,000
B-57D-89-54	8,900	54, 41	57,000
B-57D-76-54	7,600	54, 41	57,000
B-57D-109-48	10,900	48, 35	57,000
B-57D-89-48	8,900	48, 35	57,000
B-40D-89-48	8,900	48, 35	40,000
B-40D-76-42	7,600	42, 29	40,000
B-25D-67-36	6,700	36, 27	25,000
B-16D-53-30	5,300	30, 23	16,000



Sucker Rods (API-11B) & Rod Pumps (API-11AX)

Sucker rods include size 5/8", 3/4", 7/8", 1", 1-1/8", 1-1/4" and grade C, D, K, and H. Downhole sucker rod and tubing pumps with various sizes and configurations.

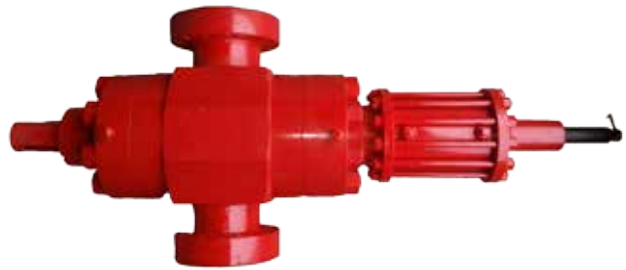


Frac Components

Frac valves - FC and FLS style, manual, ball screw operated, and hydraulic, size 4-1/16", 5-1/8" and 7-1/16", pressure ratings 5M, 10M, 15M and 20M. Goat heads (frac heads), 4-1/16", 5-1/8" 7-1/16", with 5M, 10M, 15M pressures, 4 or 6 side outlets, and various top bottom studded and flanged connections. Adapter flanges, spools, and other flanges, various sizes and pressure ratings.



BSO Valve



Hydraulic Valve



FC Gate Valve



Goat Head



Spacer Spool



Adapter Flange



Flowline Products

Swivel joints, pup joints, hose loops, plug valves, integral fittings, hammer unions, etc.



Swivel Joint



Pup Joint



Plug Valve



Hammer Union



Hose Loop



Integral Fittings

Sunnda Customer Locations



SUNNDA



Houston, USA



Sunnda Corporation

Address: 4543 Brittmoore Road
Houston, TX 77041
USA

Phone: +1-713-849-5678

Fax: +1-713-849-5687

E-mail: sales@sunnda.com

Website: <http://www.sunnda.com>